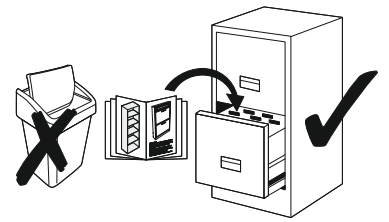
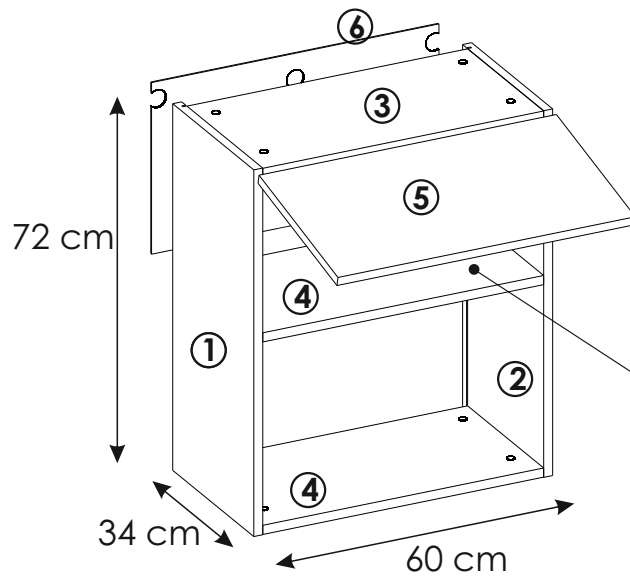
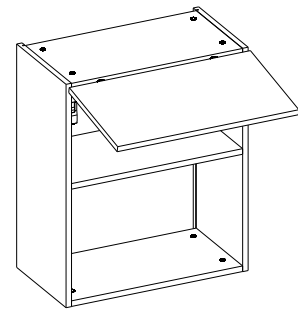
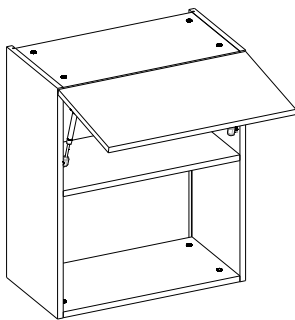


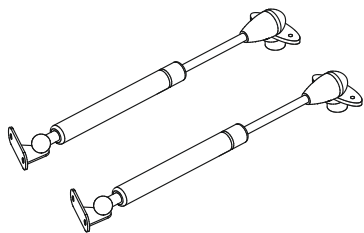
W2 MK/60



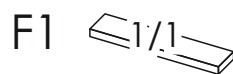
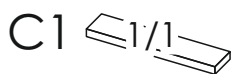
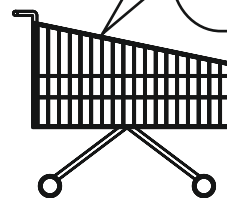
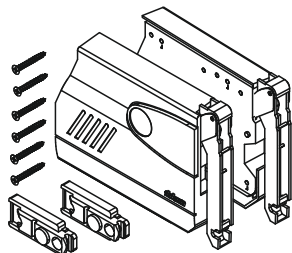
max.
5 kg



A

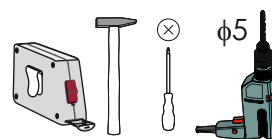
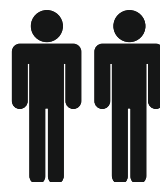


B



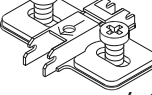
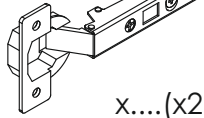









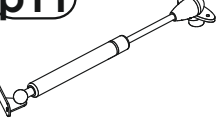
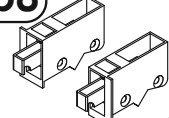






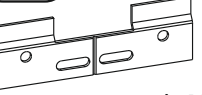


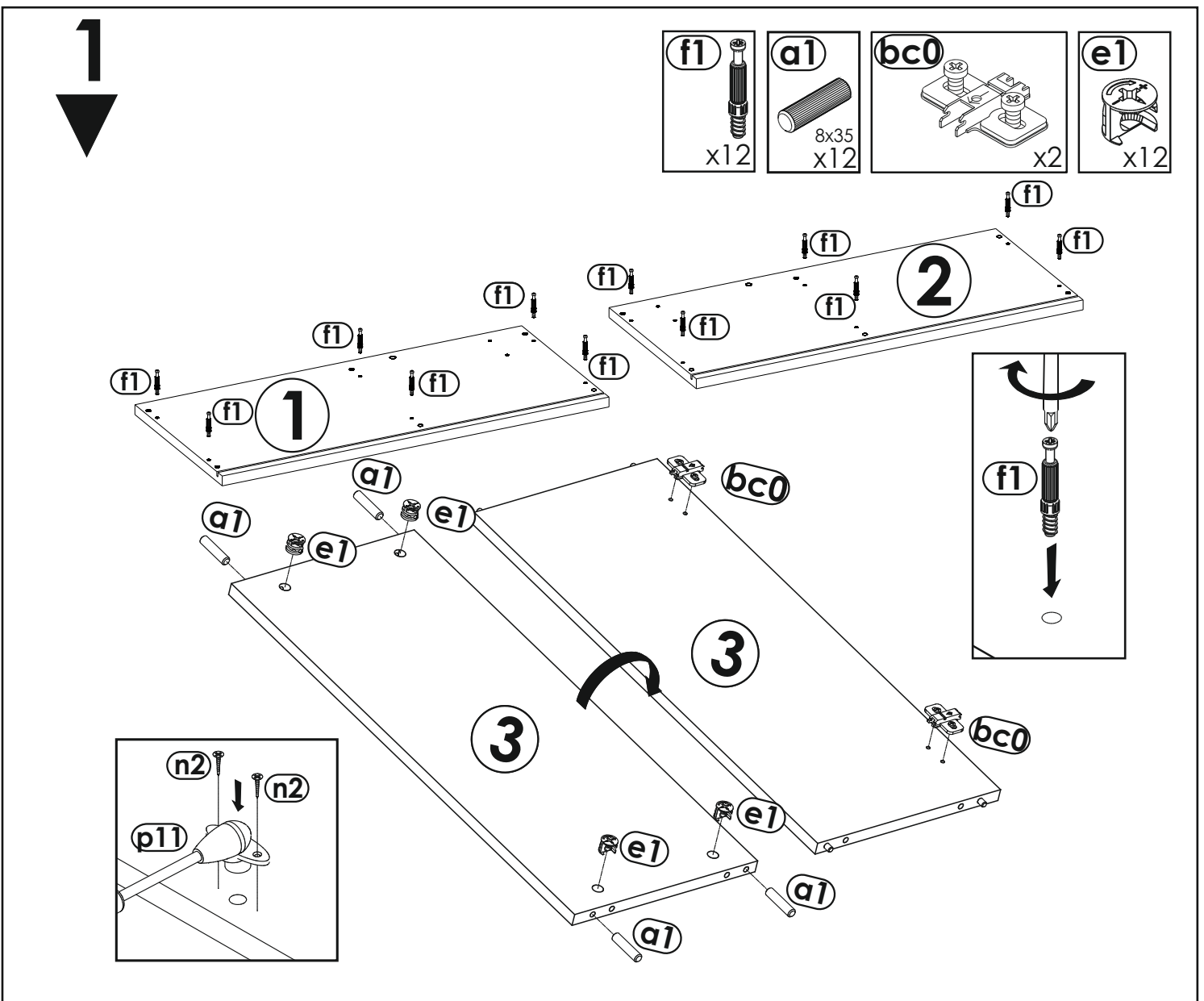
- ① -C1
- ② -C1
- ③ -C1
- ④ -C1
- ⑤ -C1

⑥ -F1

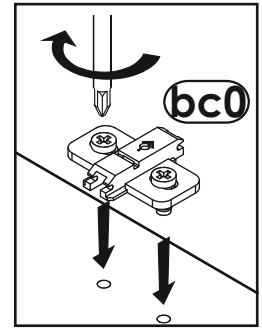
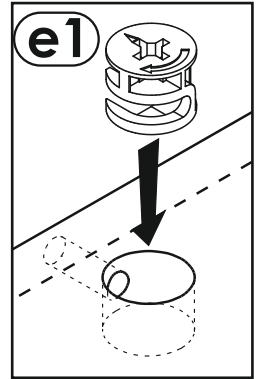
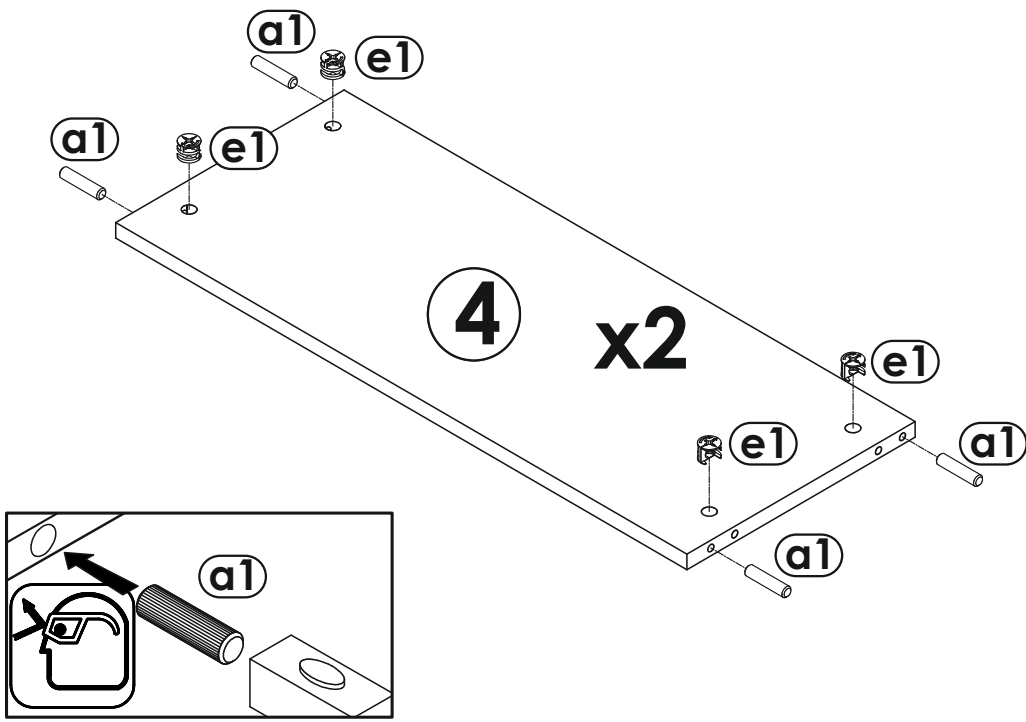


W2 MK/60

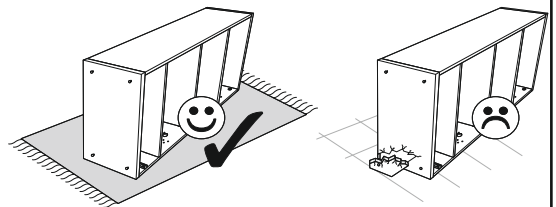
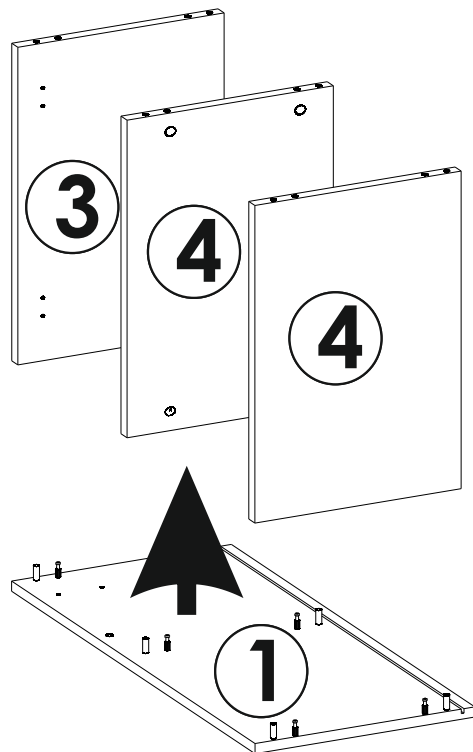
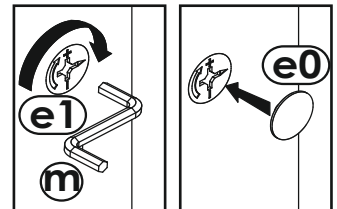
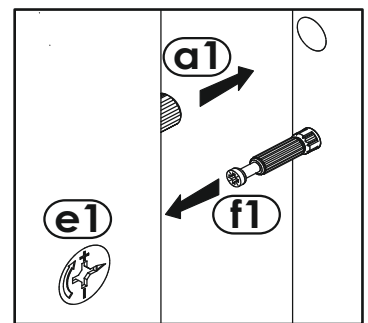
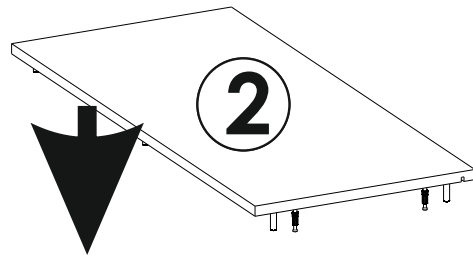
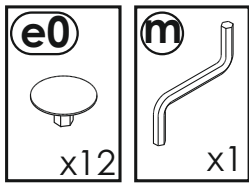
| | | | | | | | | |
|--|---|--|---|--|---|---|--|---|
| a1  8x35 x...(x12) | c1  Euro 4x13 x...(x4) | bc0  x...(x2) | bc1  x...(x2) | e0  x...(x12) | e1  x...(x12) | f1  x...(x12) | h1  x...(x1) | |
| i5  3.5x30 x...(x4) | k3  4x22 x...(x2) | m  x...(x1) | n1  3x16 x...(x10) | n2  3.5x16 x...(x8) | p11  x...(x2) | p8  x...(x1) | r4  x...(x2) | w16  x...(x1) |
| p03  φ10 x...(x2) | p01  φ5 x...(x2) | p02  φ5 biata x...(x4) | p20  x...(x2) | p17  x...(x1) | | | | |



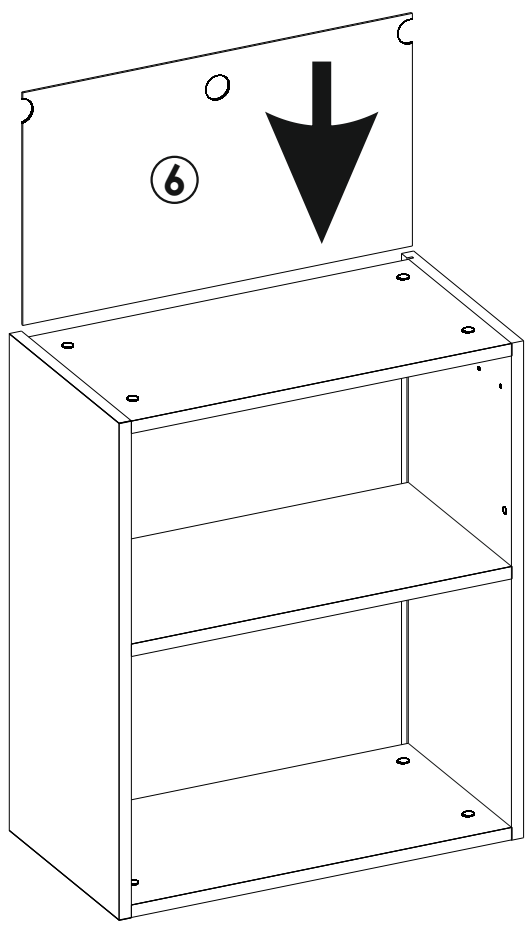
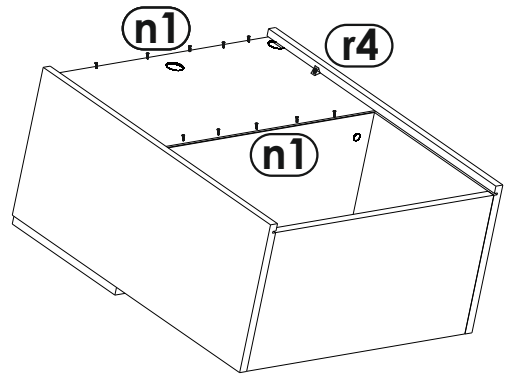
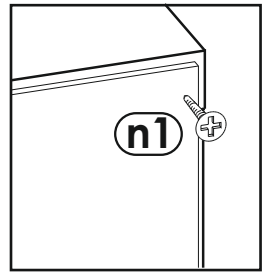
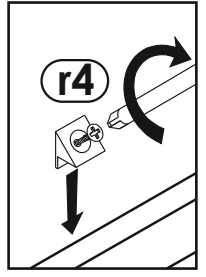
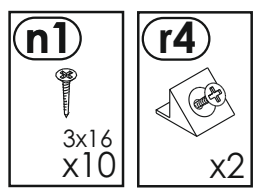
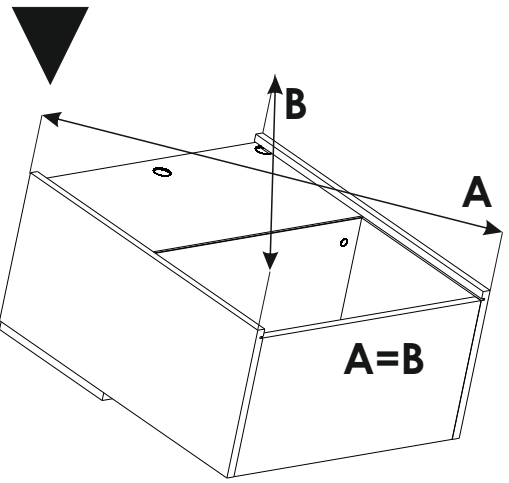
2



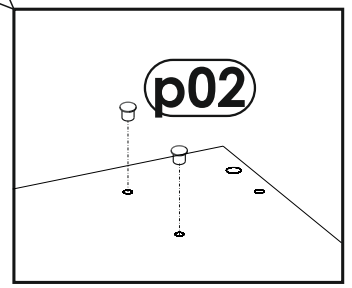
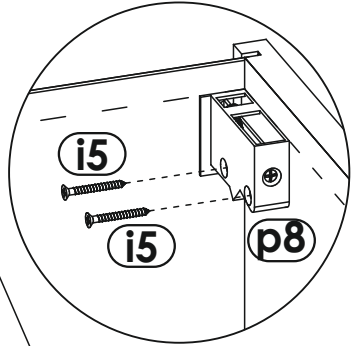
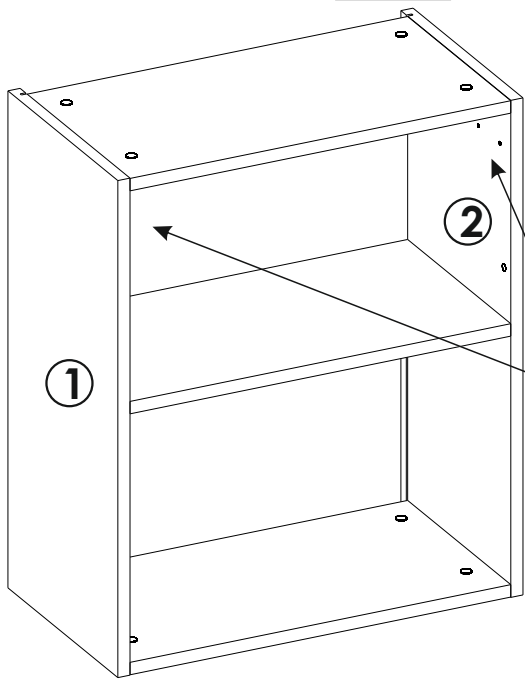
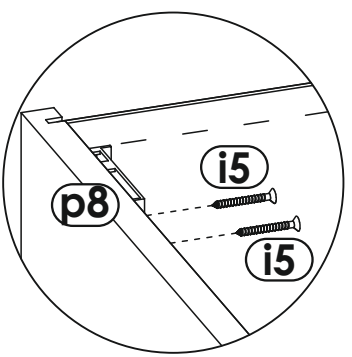
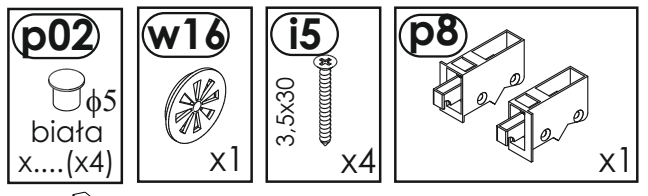
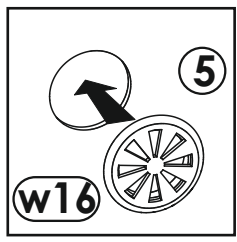
3



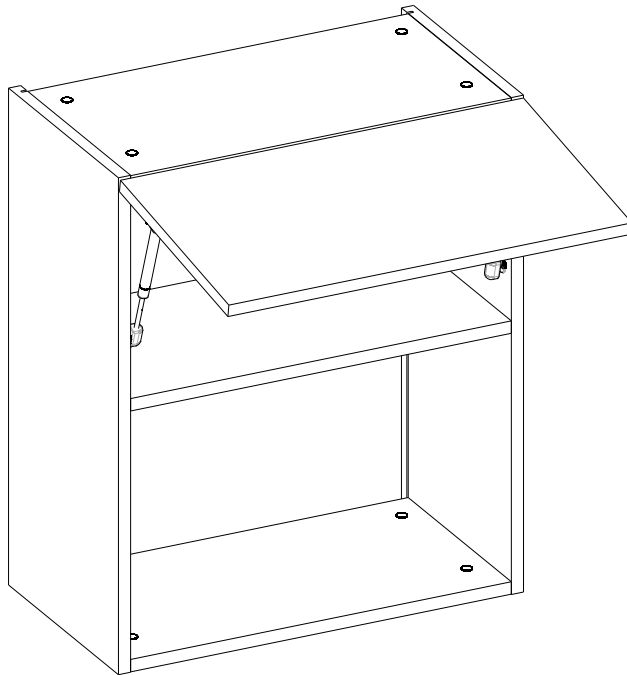
4



5

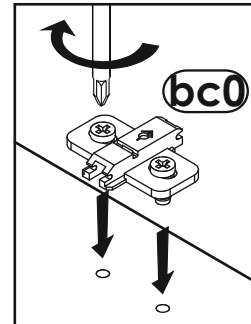
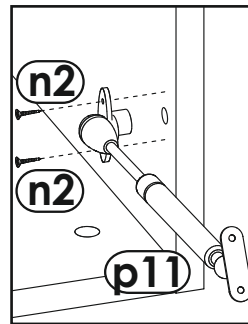
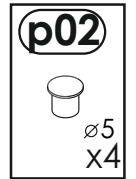
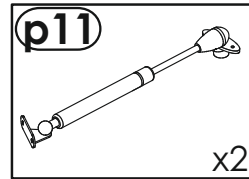
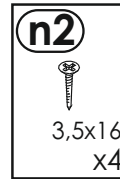
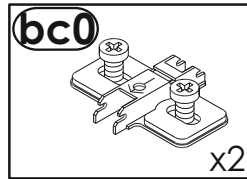
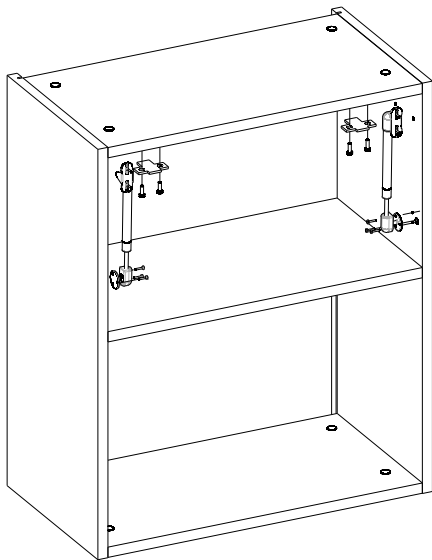


6A
▼

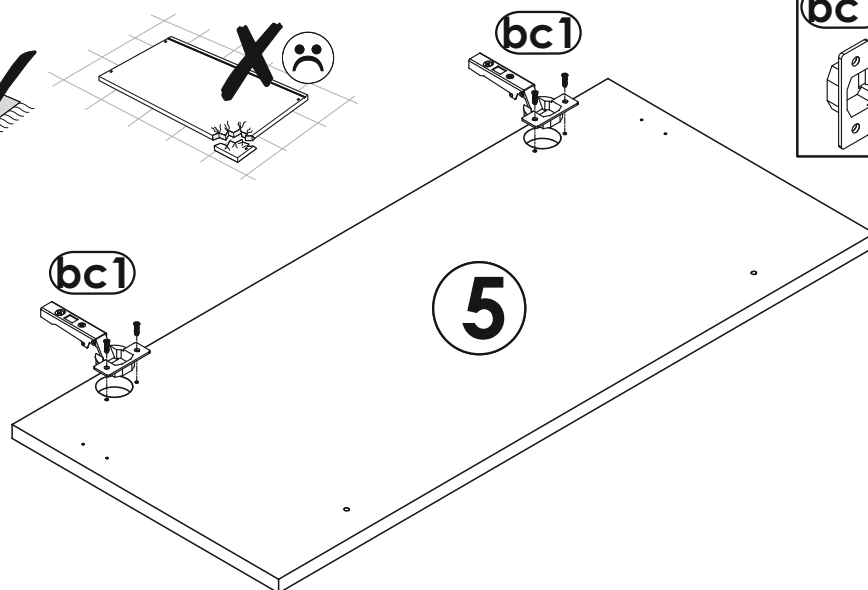
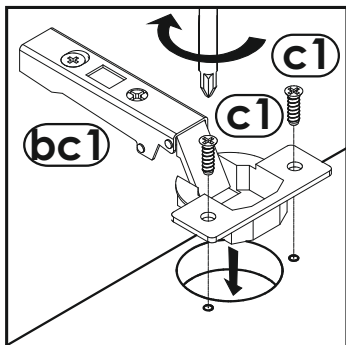
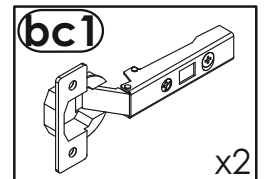
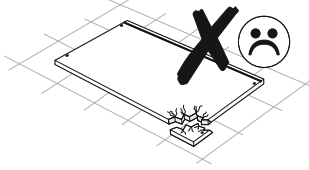
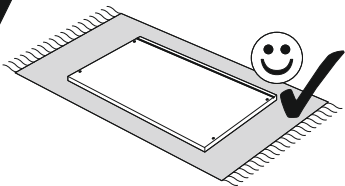


A

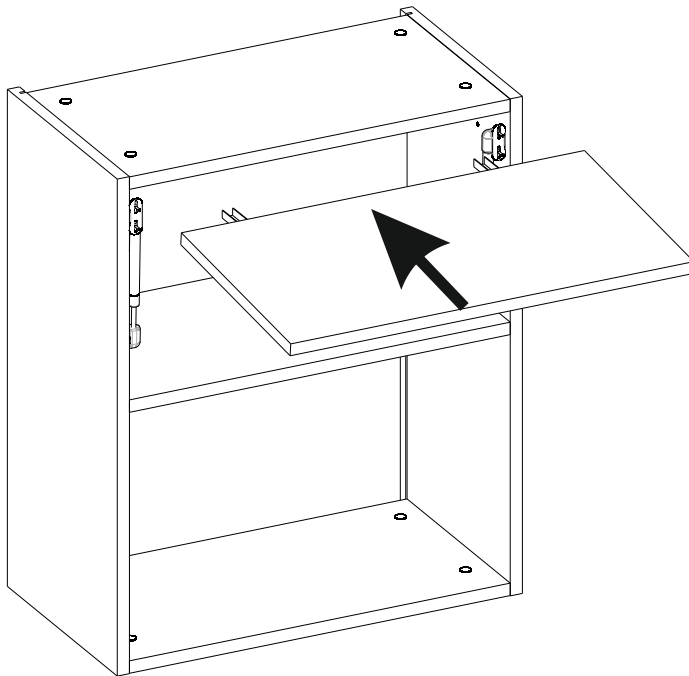
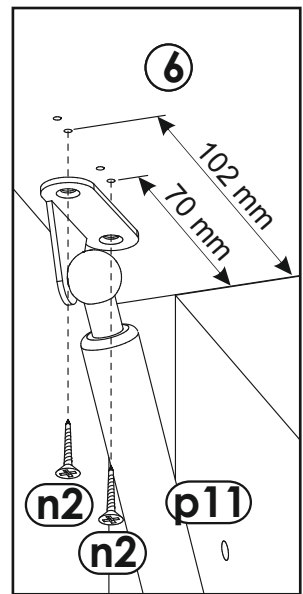
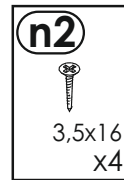
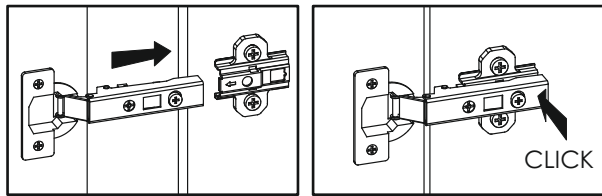
7A
▼



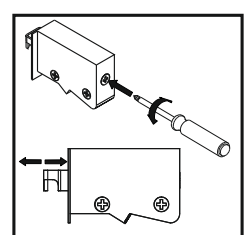
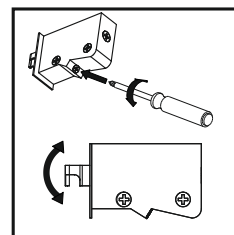
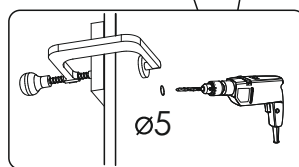
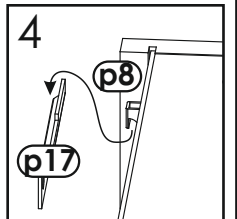
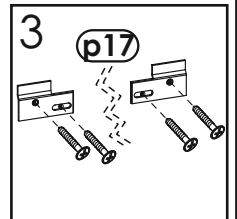
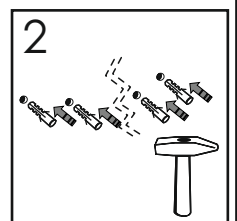
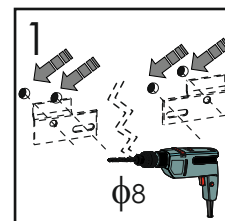
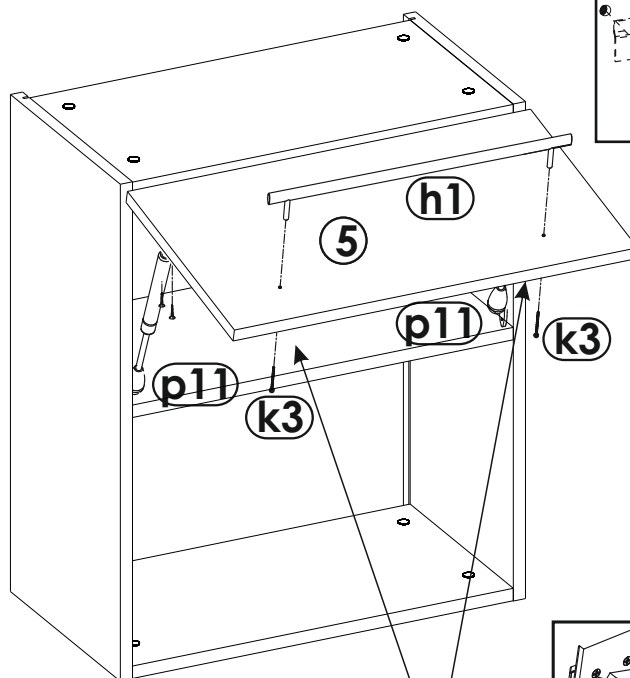
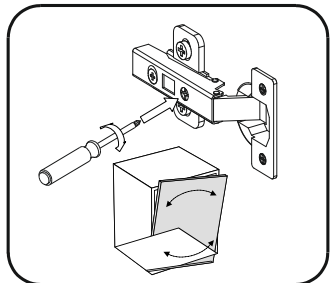
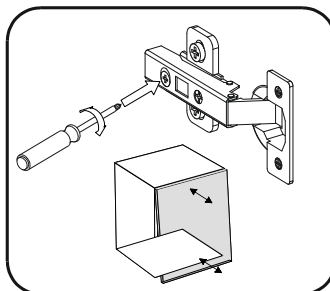
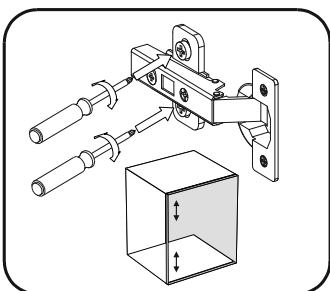
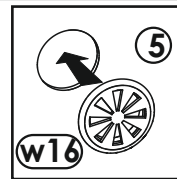
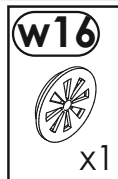
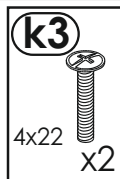
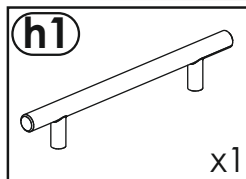
8A
▼



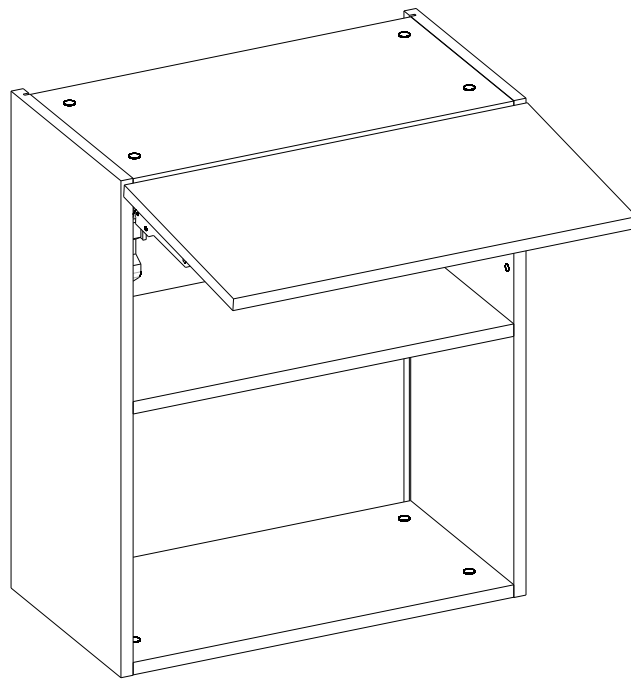
9A



10A

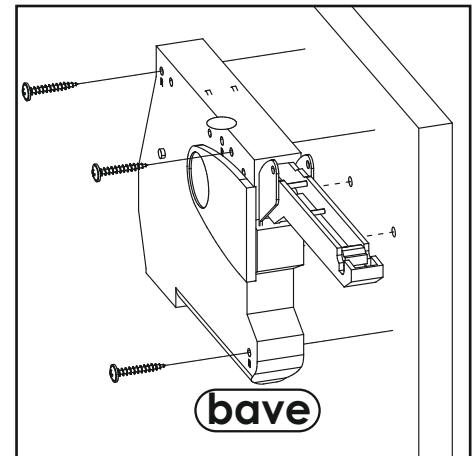
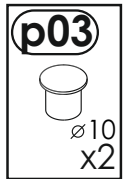
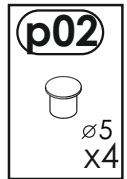
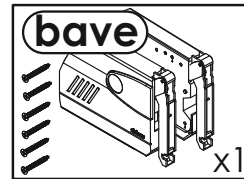
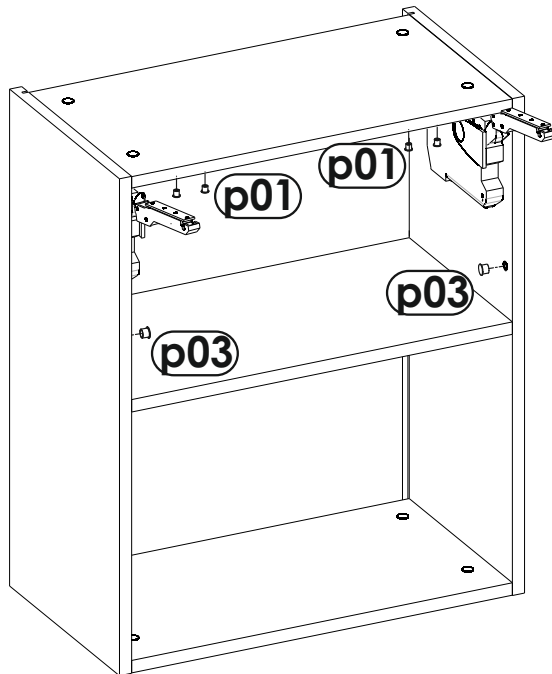


6B
▼

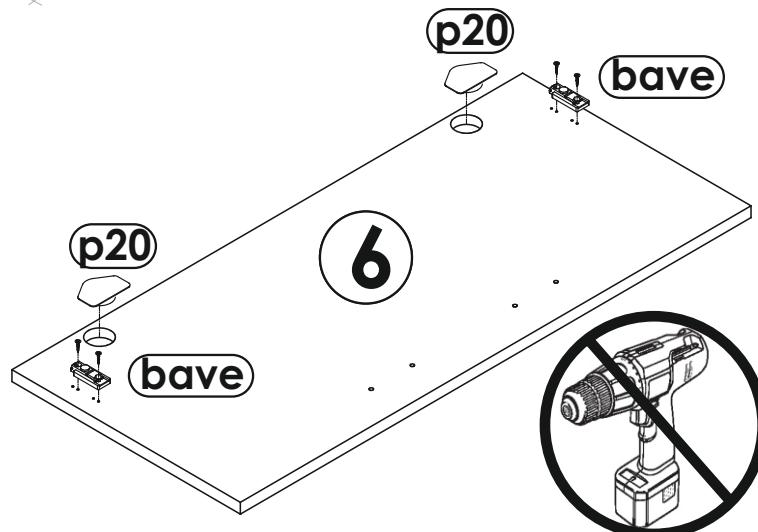
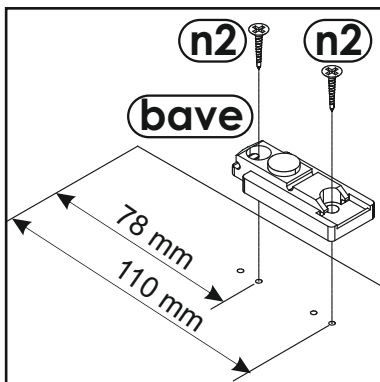
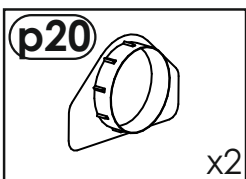
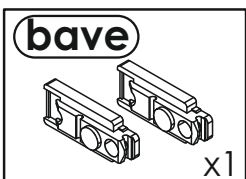
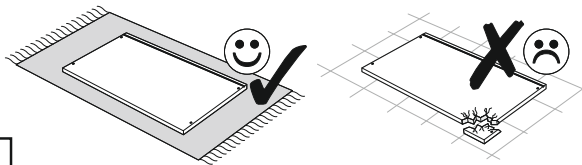


B

7B
▼



8B
▼



9B

